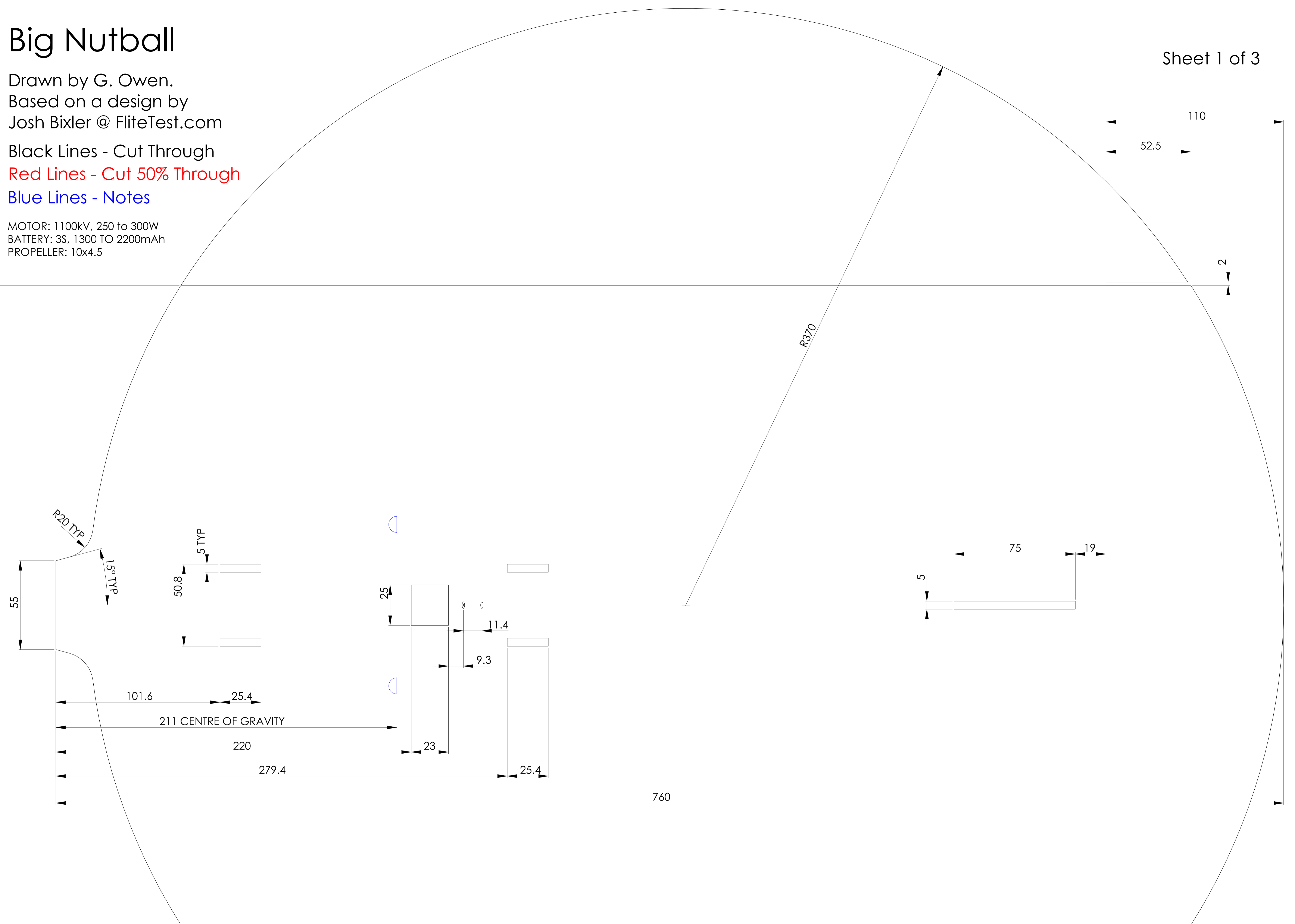


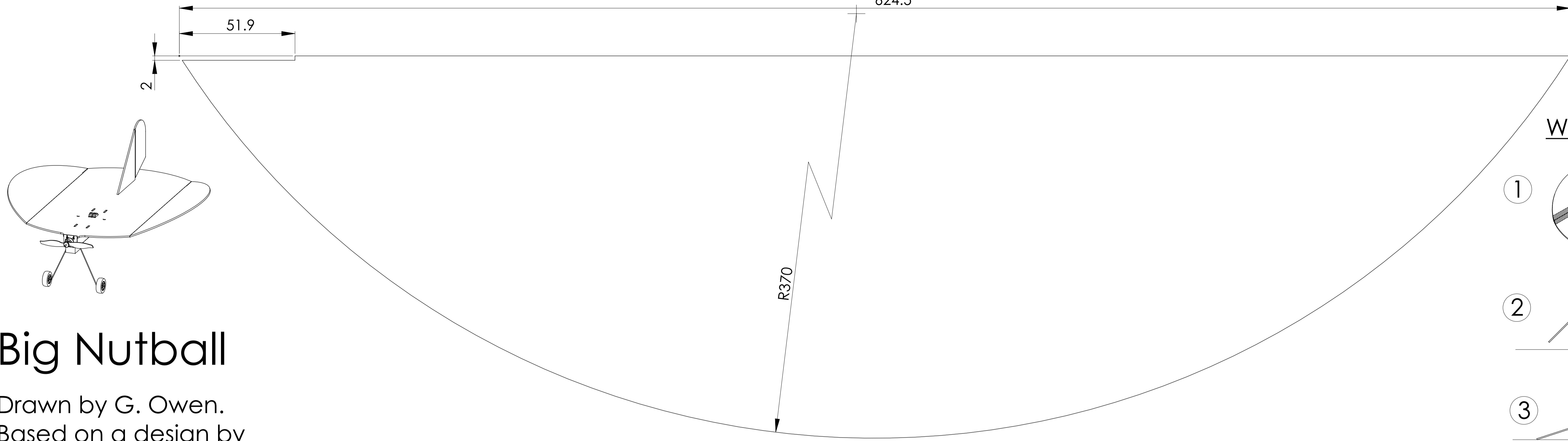
# Big Nutball

Drawn by G. Owen.  
Based on a design by  
Josh Bixler @ FliteTest.com

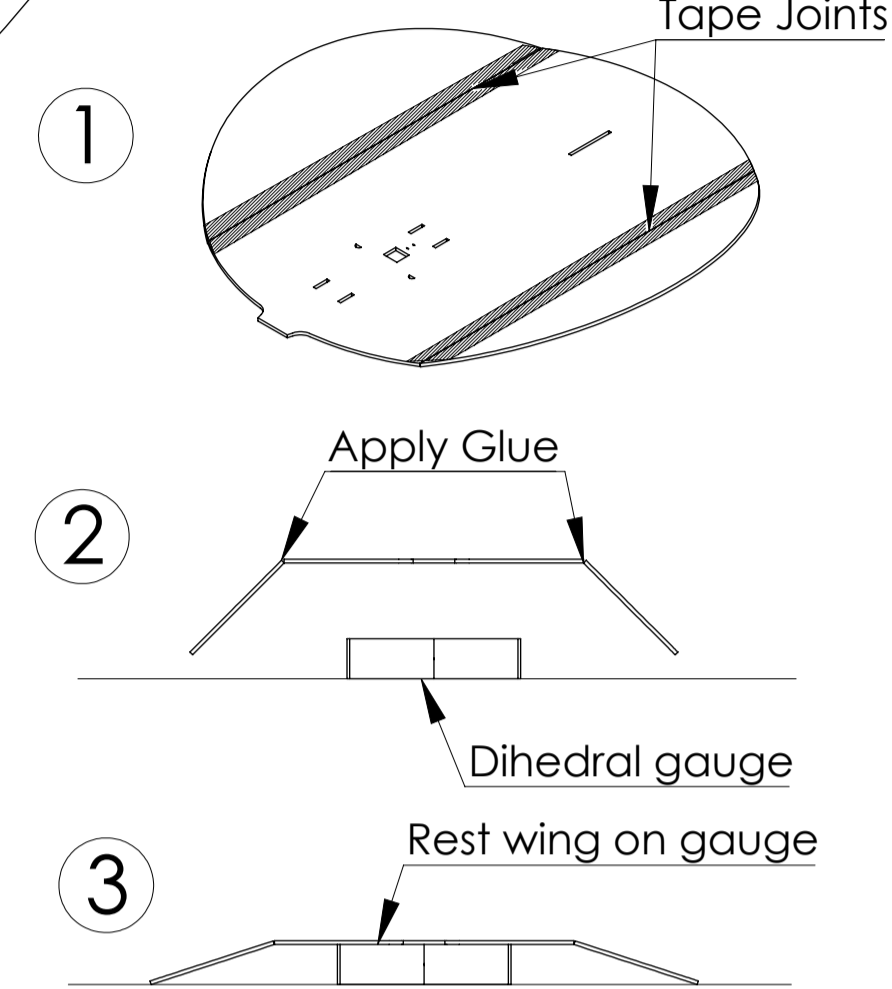
Black Lines - Cut Through  
Red Lines - Cut 50% Through  
Blue Lines - Notes

MOTOR: 1100kv, 250 to 300W  
BATTERY: 3S, 1300 TO 2200mAh  
PROPELLER: 10x4.5





Wing Assembly

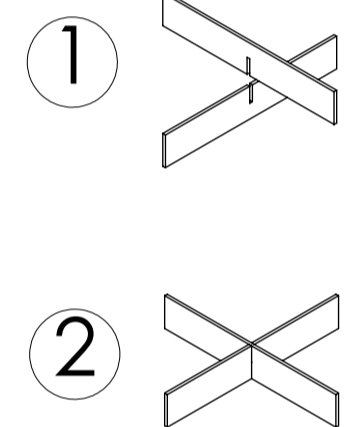


# Big Nutball

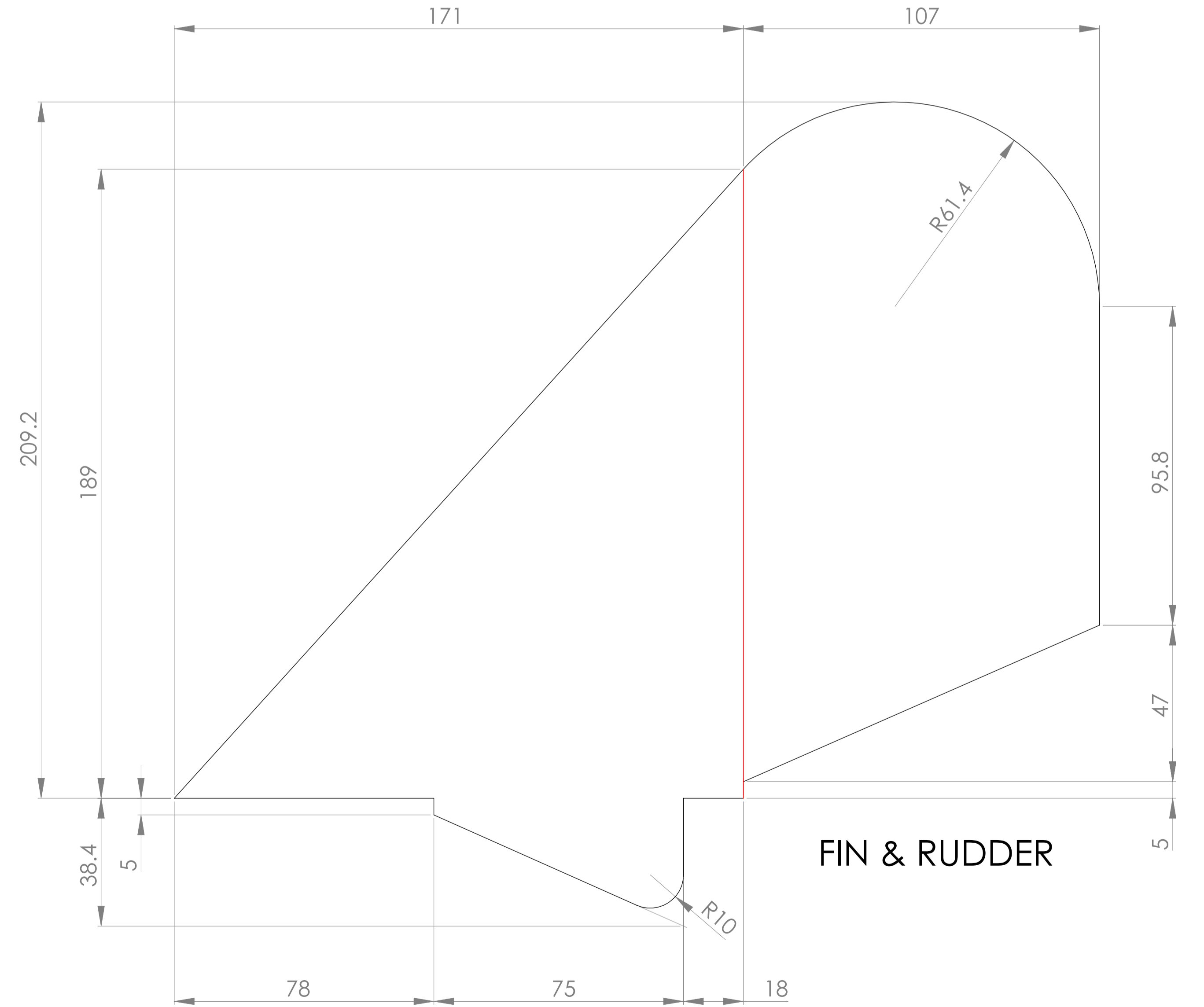
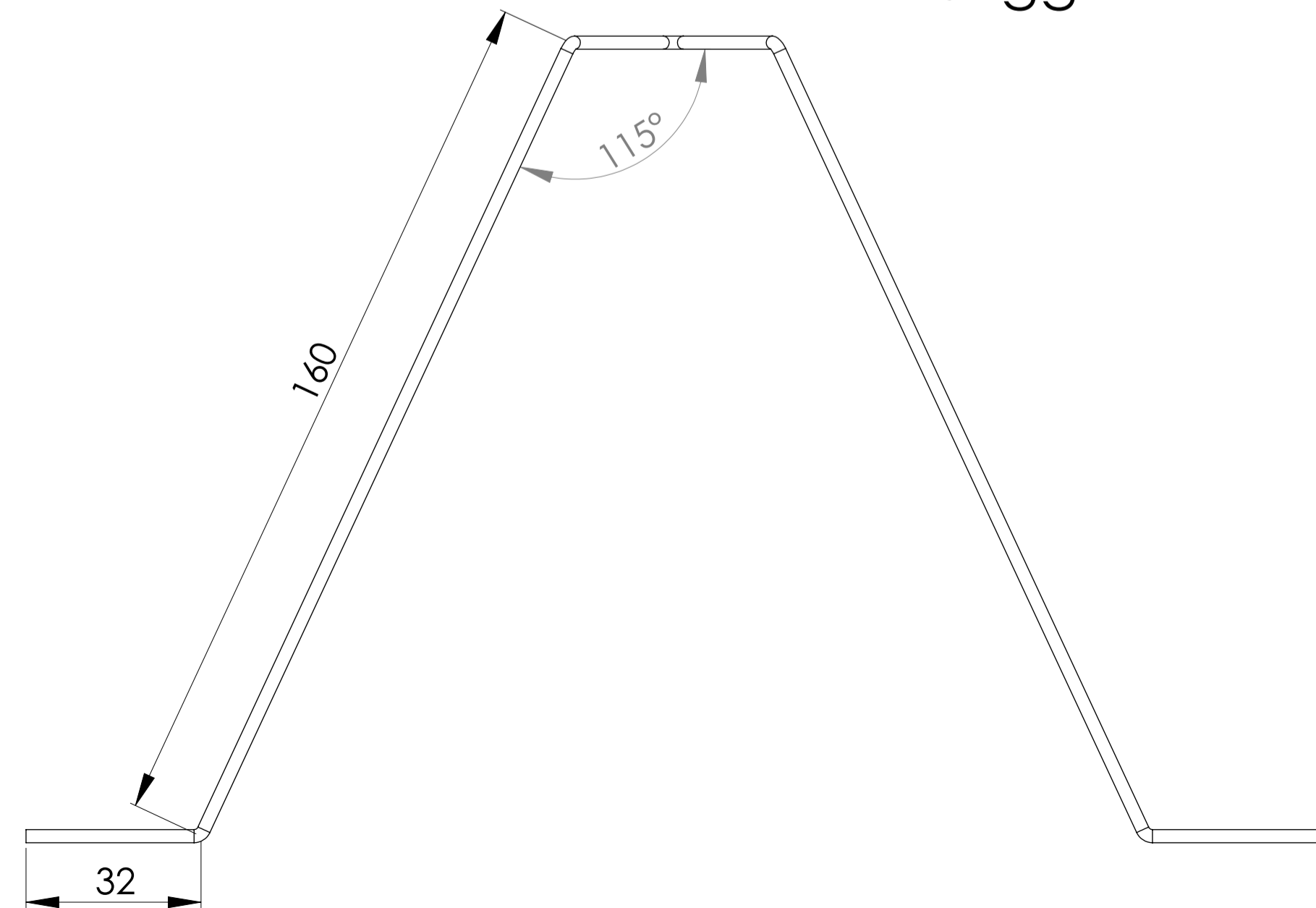
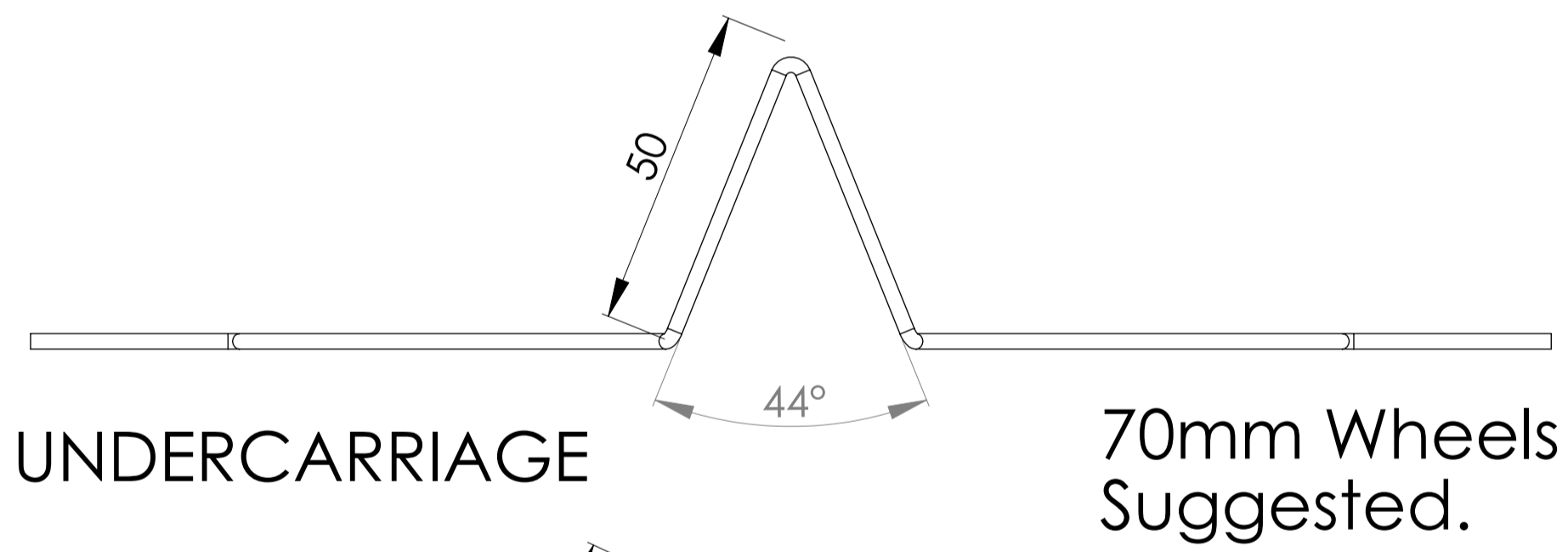
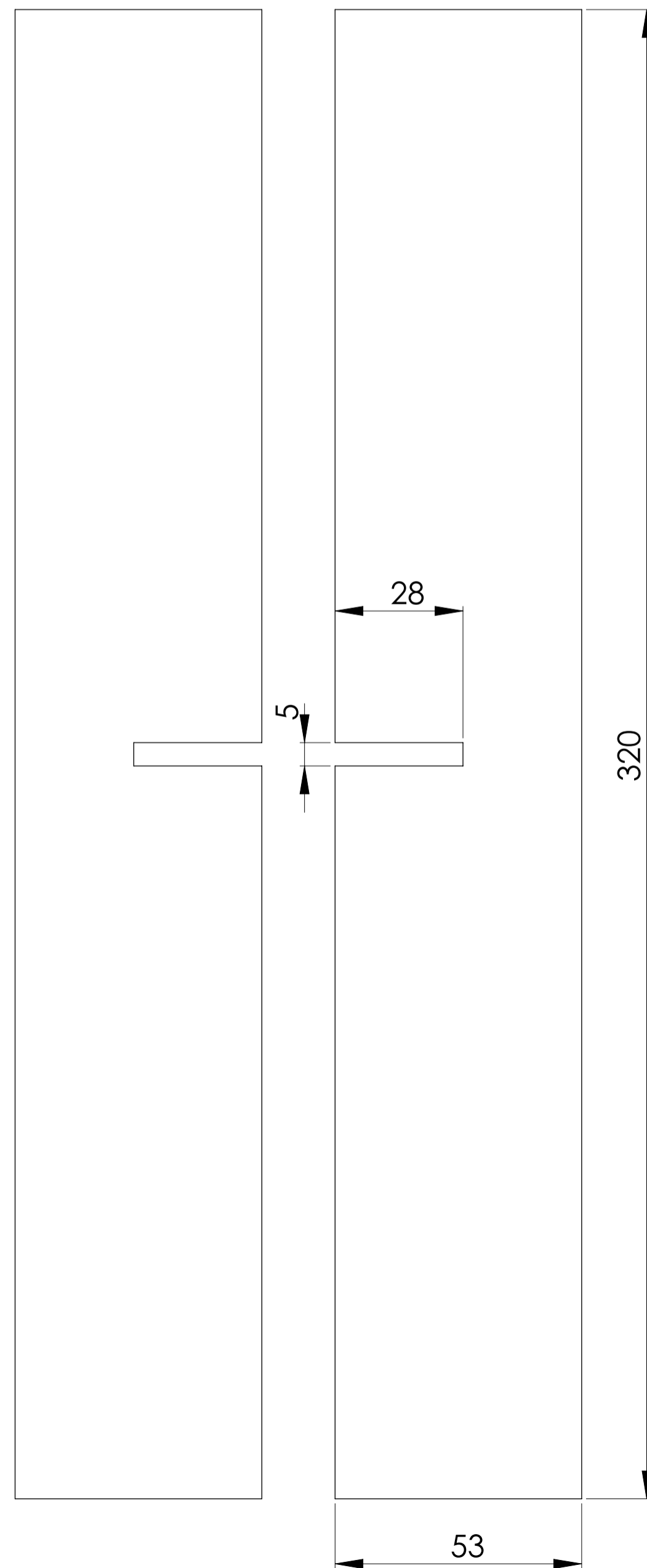
Drawn by G. Owen.  
Based on a design by  
Josh Bixler @ FliteTest.com

Black Lines - Cut Through  
Red Lines - Cut 50% Through  
Blue Lines - Notes

Dihedral Gauge Assembly



## DIHEDRAL GAUGE



# Big Nutball

Drawn by G. Owen.  
Based on a design by  
Josh Bixler @ FliteTest.com

Black Lines - Cut Through

Red Lines - Cut 50% Through

----- Fold Line

